



Model 875 PRESERVATIVE FLOW CONTROLLER BALER KIT

Designed and Manufactured in Australia
www.gazeeka.com.au

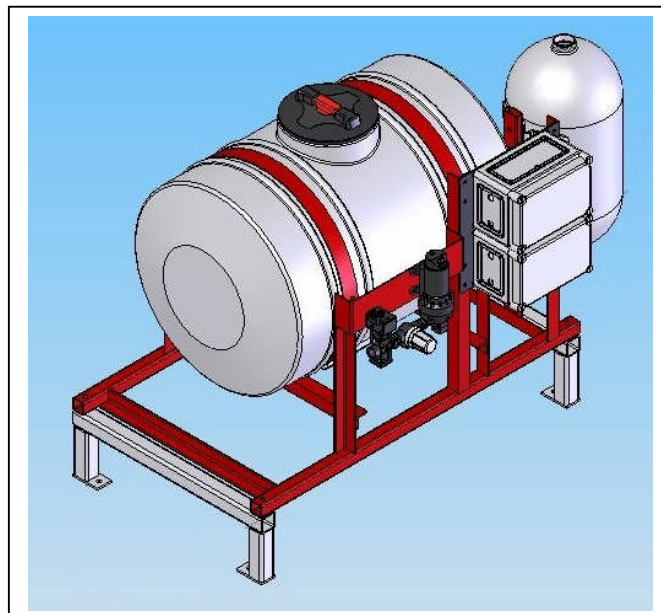
Features

- ▶ 200 litre tank for preservative
- ▶ 35 litre tank for flushing water
- ▶ Three way valve for automatic water selection for flushing.
- ▶ Improved air filters to keep fluids clean
- ▶ Includes pump, and filter units
- ▶ Includes a nozzle body, yellow jet and 8M of 12mm hose
- ▶ Includes the complete Gazeeka 875 unit including tractor display.
- ▶ Legs can be repositioned to suit most big square balers
- ▶ Designed to use "Silo Guard" preservative.

Supplied by

Vomax Instrumentation

20 Stirling Street,
Thebarton, SA 5031
info@gazeeka.com.au
Phone: (08) 8352 4755



Your Local Supplier is:

Contact: Mark Lourey 0407 366 426